

THT POWER TRANSFORMERS

EI Platforms – Vertical



Features

- High power density and high efficiency
- Multiple-output is available
- Operating frequency up to 500kHz
- Custom designs available



Application

- Transformer for DVC, DSC,OA, Adaptor,TV,Automotive,DVD,Blue-ray Recorder

Specifications

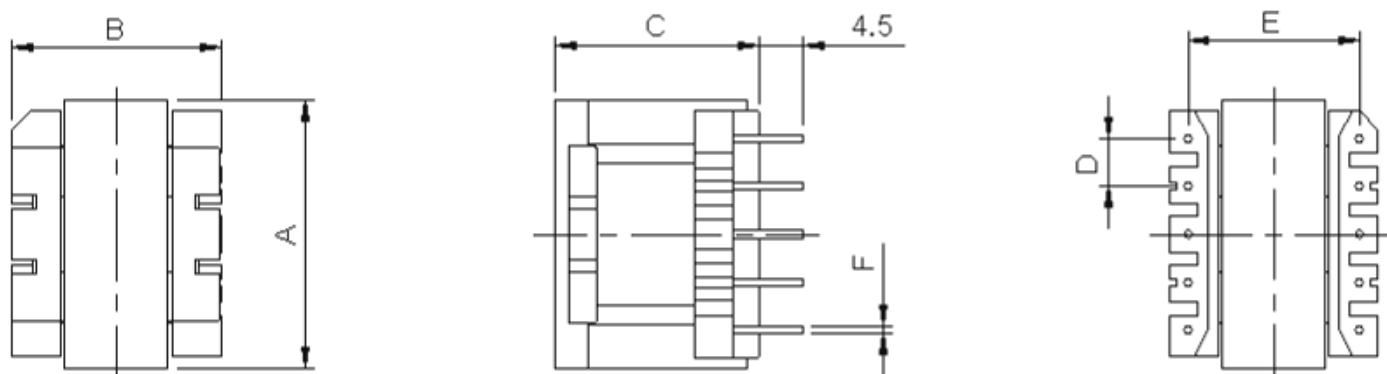
Size	Fig.	A (Max.)	B (Max.)	C (Max.)	D (Nom.)	E (Nom.)	F (Nom.)	Pins (Optional)	fsw (kHz)	Output Power (W) ²
EI13	1	15	14	12	2.5	7.5	Φ0.6	5x5	100	5
EI16	1	18	15	18	3.25	10.5	Φ0.6	5x5	100	10
EI19	1	24	18	20	4.0	10.0	Φ0.8	5x5	100	15
EI22	1	24	18	21	4.0	10.3	Φ0.8	5x5	100	25
EI25	2	27	19	23	5.0	15.2	Φ0.8	4x4	100	30
EI28	1	30	24	24	5.0	17.5	Φ0.8	5x5	100	40
EI33	3	35	29	31	5.0	22.6	Φ0.8	6x6	100	60
EI35	4	37	29	30	5.0	20.0	Φ0.8	7x7	100	80

1. Operating Temperature: -40°C ~ +125°C (Includes temperature when the coil is heated).

2. Output power is only for reference at flyback topology and switching frequency 100kHz.

Mechanical

Fig. 1



THT POWER TRANSFORMERS

EI Platforms – Vertical



Fig. 2

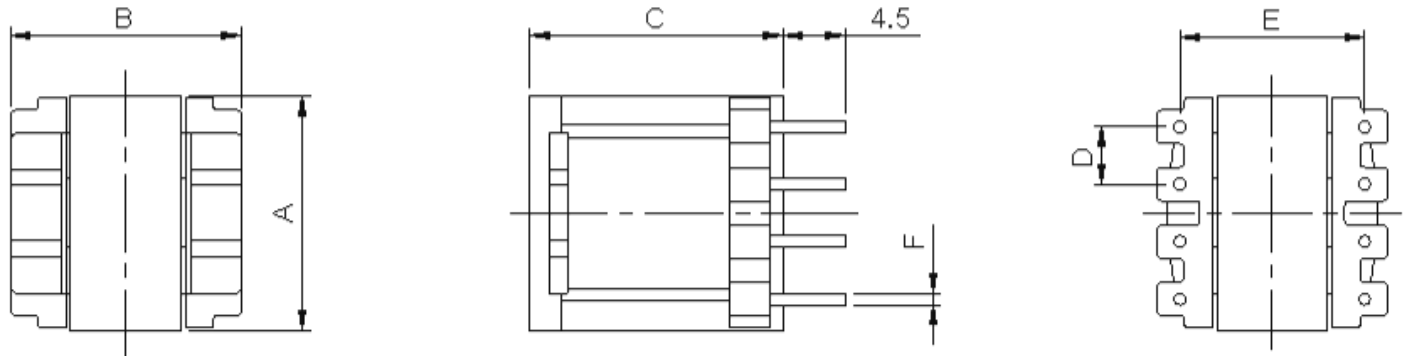


Fig. 3

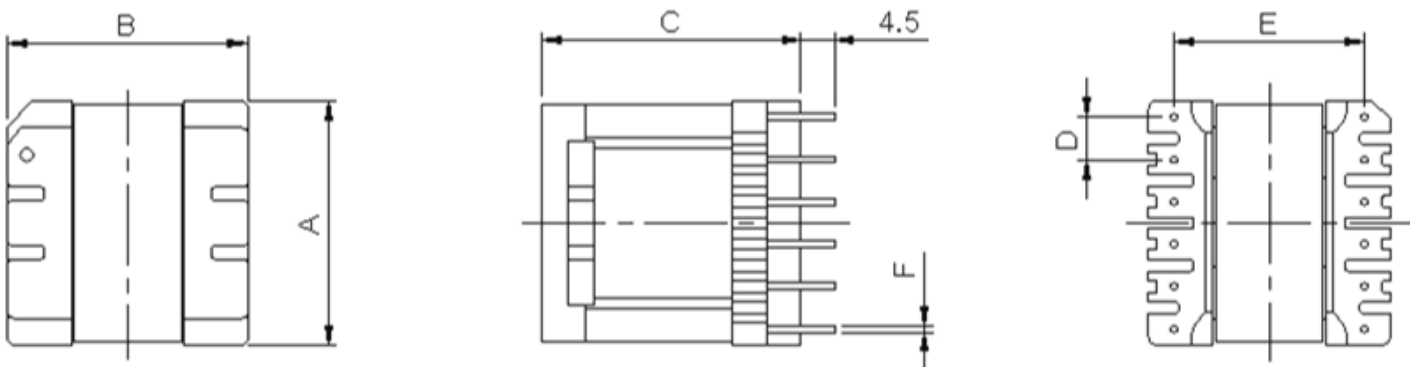


Fig. 4

