

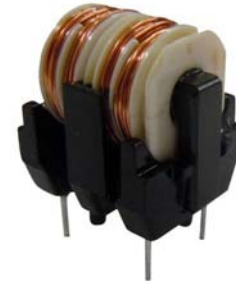
# THT COMMON MODE CHOKES

## UT Platforms



### Features

- Inductance is up to 47mH
- 1500Vrms isolation between windings
- Wide range of inductance and current available



### Application

- Common mode Chokes for DVC, DSC,OA, Adaptor,TV,DVD,Blue-ray Recorder

### Electrical Specifications @25°C

Type	Ordering Code	Inductance @1kHz (mH Min.)	D.C.R. (Ω Max.)	I <sub>rated</sub> (A) <sup>2</sup>
UT20	UT20-0001	0.33	0.030	3.20
	UT20-0002	0.47	0.050	2.60
	UT20-0003	0.68	0.070	2.20
	UT20-0004	1.00	0.080	1.80
	UT20-0005	2.20	0.240	1.30
	UT20-0006	3.90	0.400	1.00
	UT20-0007	10.00	1.000	0.60
	UT20-0008	22.00	2.050	0.40
	UT20-0009	33.00	3.400	0.30
	UT20-0010	47.00	3.800	0.25

1. Operating Temperature: -40°C ~ +120°C (Includes temperature when the coil is heated)

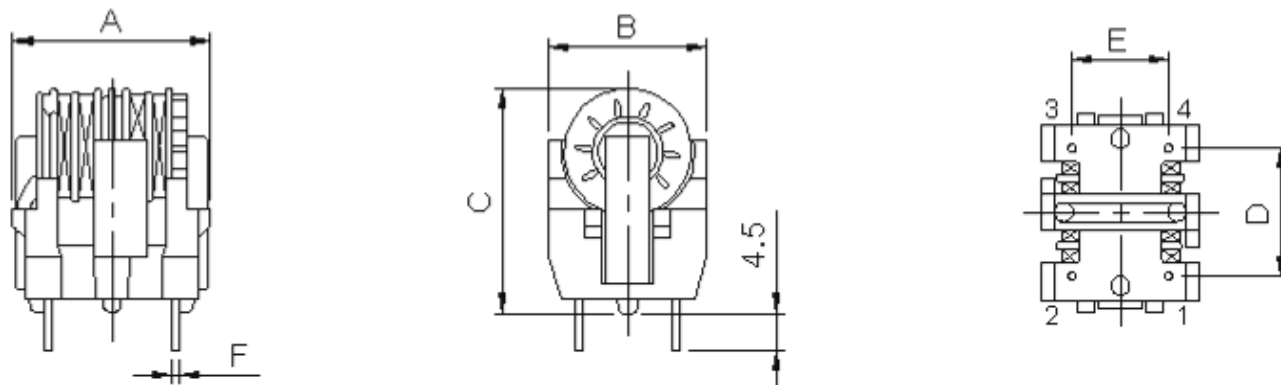
2. I<sub>rated</sub>: DC current which causes the coil temperature rise 40°C (T<sub>a</sub>=20°C)

# THT COMMON MODE CHOKES

UT Platforms



## Mechanical



## Dimensions (mm)

Ordering Code	A (Max.)	B (Max.)	C (Nom.)	D (Max.)	E (Nom.)	F (Nom.)
UT20	23	18	23	13.0	10.0	Φ0.8

## Schematic

