

SMD GATE DRIVE TRANSFORMERS

Toroidal Series



Features

- Frequency range 10kHz to 500kHz
- 1000Vrms isolation between windings
- Custom designs available



Application

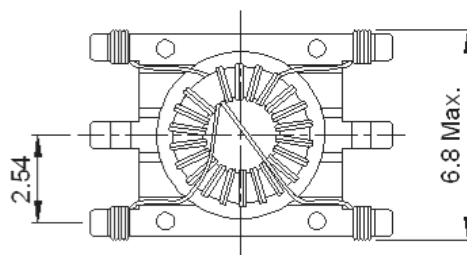
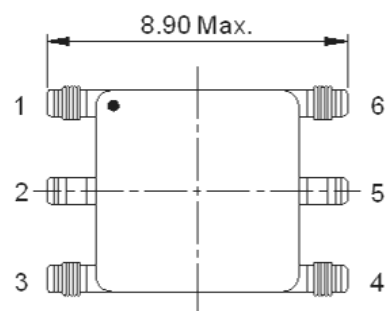
- Transformer for coupling gate-drive circuit of isolated AC/DC, DC/DC converters

Electrical Specifications @25°C

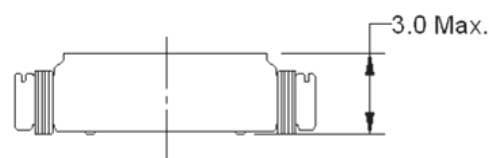
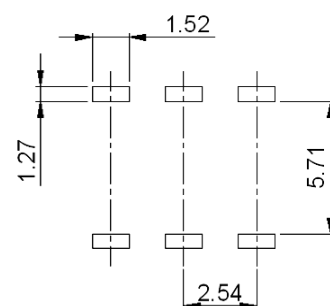
Ordering Code	Turns Ratio	Primary Inductance (μH Min.)	Leakage Inductance (μH Max.)	D.C.R. (Ω Max.)		Isolation Voltage
				Primary	Secondary	
GDT-0001	1:1	780.0	0.45	0.600	0.600	1000Vrms
GDT-0002	1:1	1100.0	0.50	0.570	0.570	1000Vrms
GDT-0003	1:1:1	300.0	0.70	0.500	0.500	1000Vrms
GDT-0004	1:1:1	600.0	0.75	0.750	0.750	1000Vrms

1. Operating Temperature: -40°C ~ +125°C (Includes temperature when the coil is heated).

Mechanical (mm)



Recommended land pattern



Schematic

