

Features

- High sensitivity
- Low cost
- Easy assembly
- Terminal or plug is available
- Custom designs available



Application

- AM Antennas for Hi-Fi stereo system, Mini sound system

Electrical Specifications @25°C

Ordering Code	Fig.	Inductance @1kHz ($\mu\text{H} \pm 10\%$)	D.C.R. (Ω Max.)	Q @1MHz (Min.)
LAB-001	1	18.10	0.750	40
LAB-002	1	18.80	1.000	30
LAB-003	1	19.20	1.200	30
LAD-001	2	18.10	0.750	40
LAD-002	2	18.80	1.000	30
LAD-003	2	19.20	1.200	30

1. Operating Temperature: $-10^{\circ}\text{C} \sim +60^{\circ}\text{C}$

Mechanical

Fig. 1

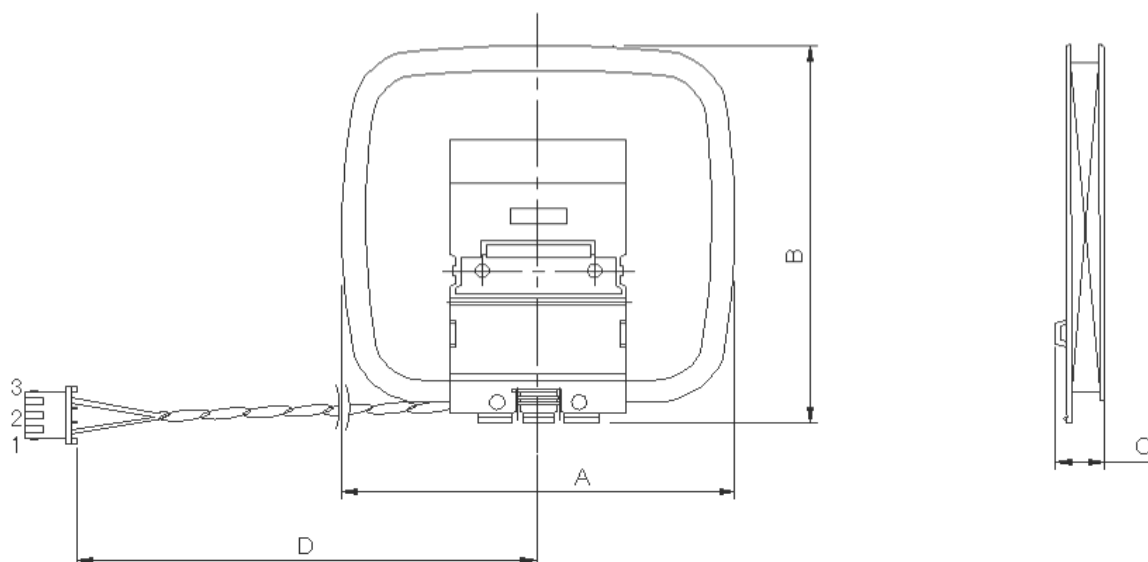
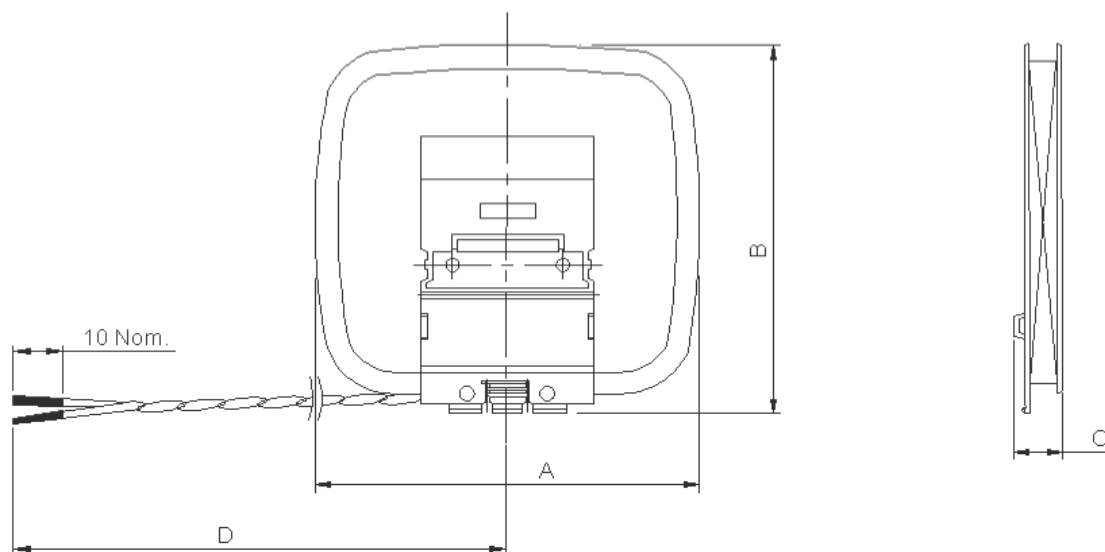


Fig. 2



Dimensions (mm)

Ordering Code	Fig.	A (Max.)	B (Max.)	C (Max.)	D (Nom.)	Terminal or plug
LAB-001	1	135	124	19	800	Housing: Molex 5264-03 Terminal: Molex 5263-PBT Or equivalents
LAB-002	1	135	124	19	1600	
LAB-003	1	135	124	19	2000	
LAD-001	2	135	124	19	800	
LAD-002	2	135	124	19	1600	
LAD-003	2	135	124	19	2000	